

# PoE CAMERA HOUSINGS

## VAHB 30-1 & 30-2



VAHB 30-2

VAHB 30-1

- High Power over Ethernet
- Indoor and Outdoor Installation
- Aluminium Zinc Alloy Casing
- IP 66 Rated Protection
- Easy Installation

The VAHB 30-1 & 30-2 are high quality enclosures engineered to protect IP cameras from physical and environmental damage. Compatible with many leading brands of IP cameras, its gives you the best value for money, when it counts.

A pre-installed High Power over Ethernet splitter provides power both for the camera and for heating and cooling the housing, eliminating the need for additional power cables.

The housing comes with a built in heater and blower, enabling the camera to operate in harsh environmental temperatures. Housing also includes wall bracket for easy mounting and installation. VAHB 30-2 comes with an additional Socket for extra utility such as requirement of additional power.



**POWER BOARD** : Divides Power and Data from PoE Connector to Heater, Blower and PoE Camera.



**WATERPROOF PoE Socket**  
(Additional Socket in case of VAHB 30-2 for extra Utility use)

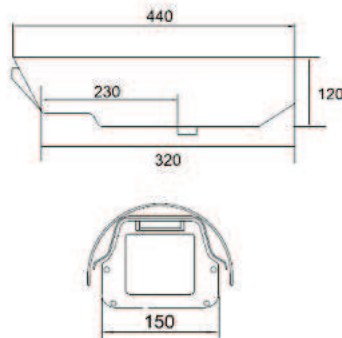


**Heater and Blower** Keep your Network Camera in Proper Operating Temperatures

## Technical Specifications - Videotrec VAHB 30-1 & 30-2 Network Camera Housings

Model	VAHB 30-1	VAHB 30-2
Casing	Aluminium Zinc Alloy	Aluminium Zinc Alloy
Operating Conditions	-30° C to 60° C 0~95% RH	-30° C to 60° C 0~95% RH
Protection Rating	IP 66	IP 66
Color	Beige	Beige
Power Consumption	Camera: 48V DC, 25.5W Heater: 12V DC, 4.2W Blower: 12V DC, 1.68W	Camera: 48V DC, 25.5W Heater: 12V DC, 4.2W Blower: 12V DC, 1.68W

### Dimensions



VAHB 30-1 & 30-2 (in mm)

### Optional Accesories



Pole Mount Bracket



Corner Mount Bracket



Videotrec Industrial Co. Ltd.  
 4th Floor, Block D  
 Hongwei Industrial Park  
 Liu Xian No. 2 Road  
 Baoan, Shenzhen  
 China  
 Ph: +86-755-27598232