

VAHB 60 & 70

IP DOME CAMERA HOUSINGS



VAHB 70
7" Dome Housing



VAHB 60
6" Dome Housing



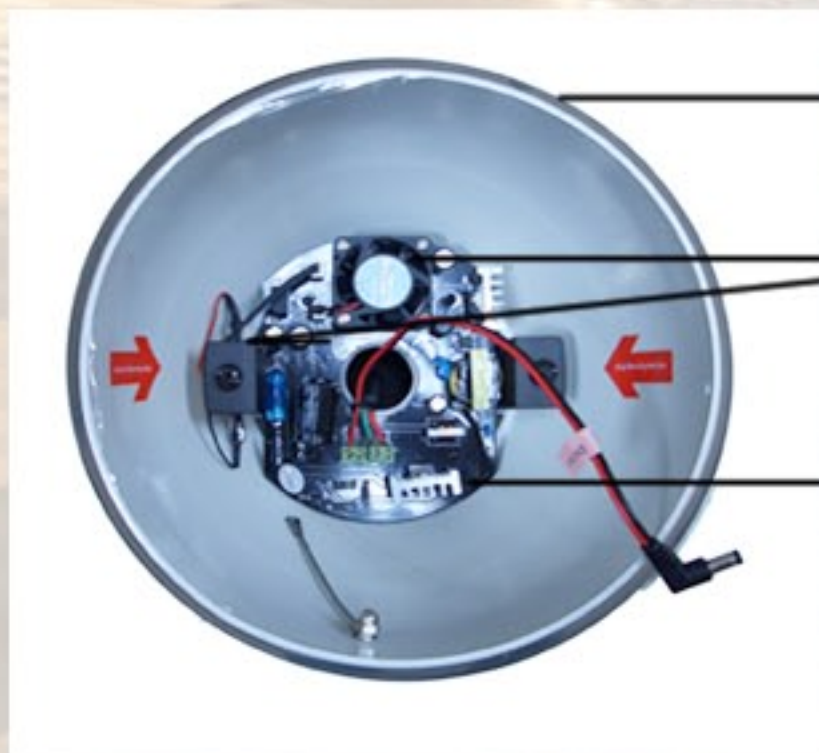
VAHB 50
Indoor Recess Housing

- Indoor and Outdoor Installation
- Aluminium Casing
- IP 66 Rated Protection
- Easy Installation
- PoE Optional

The VAHB 50, 60 & 70 are high-quality enclosures engineered to protect IP cameras from physical and environmental damage. Compatible with many leading brands of IP cameras, it gives you the best value for money, when it counts.

Heavy duty mounting bracket conceals all cabling and can be installed on any vertical surface. Optional pole and corner brackets are also available.

Camera installation is simplified with the built-in power supply, while the heater and blower keeps your camera in proper operating temperatures.



Die Cast Aluminium Casing

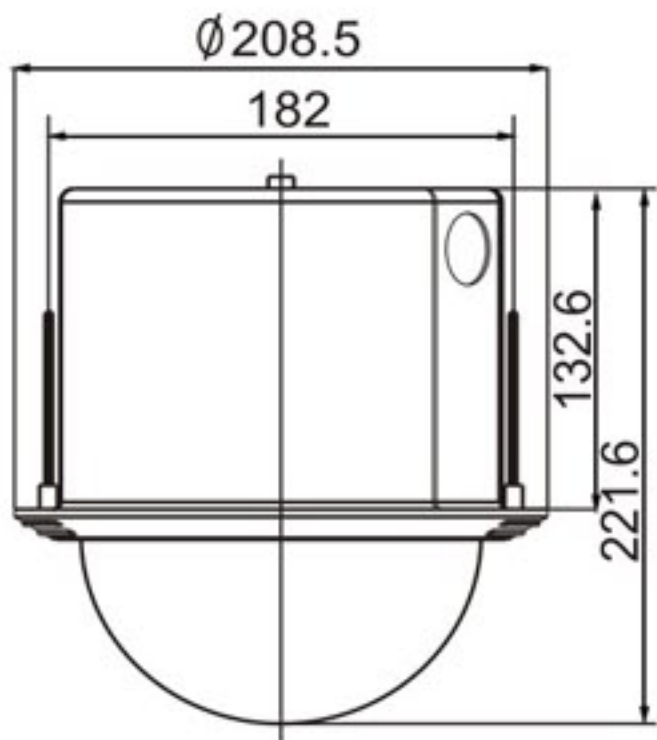
Heater and Blower to keep your camera in proper operating temperatures.

Power Board (PoE Optional)

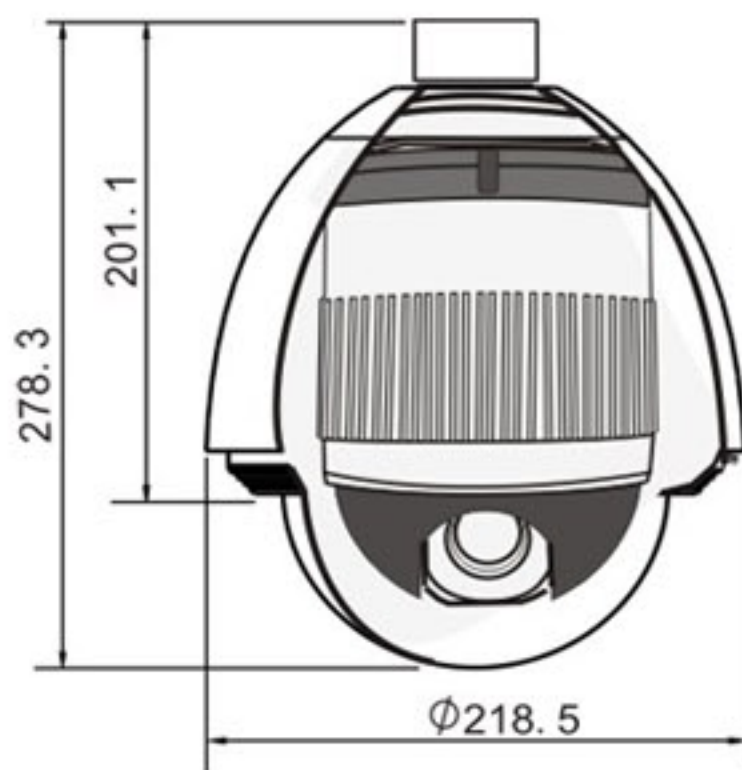
Technical Specifications - Videotrec VAHB Series Dome Housings

Model	VAHB 50	VAHB 60	VAHB 70
Casing	Die-Cast Aluminium	Die-Cast Aluminium	Die-Cast Aluminium
Power	Optional	24V AC Input 12V DC Output	24V AC Input 12V DC Output
Operating Conditions	0° C to 40° C	-30° C to 50° C 0~95% RH	-30° C to 50° C 0~95% RH
Protection Rating	IP 60	IP 66	IP 66
Color	Beige	Beige	Beige with Black Rim
Supported Cameras	Axis 213 Canon VB-C50iR Dlink DCS-5300 Dlink DCS-6620 Vivotek PZ-6112 Vivotek PT-3112 Toshiba IK-WB21A Panasonic BB-HCM581 Panasonic WV-NS202	Axis 213 Canon VB-C300 Canon VB-C50iR Dlink DCS-5300 Dlink DCS-6240 Dlink DCS-6620 Vivotek PZ-6112 Vivotek PT-3112 Toshiba IK-WB21A	Axis 233D, Axis 232D Sony SNC-RZ25N Sony SNC-RZ30N Panasonic BB-HCM581 Panasonic WV-NS202

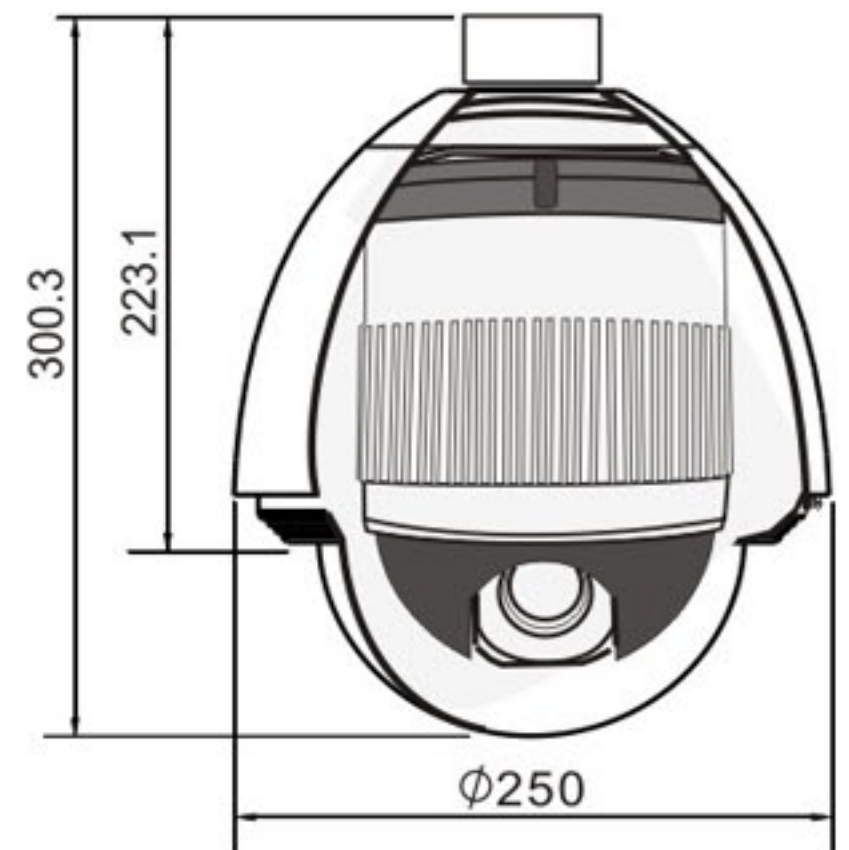
Dimensions



VAHB 50



VAHB 60



VAHB 70

Optional Accesories



Pole Mount Bracket



Corner Mount Bracket



Videotrec Industrial Co. Ltd.
4th Floor, Block D
Hongwei Industrial Park
Liu Xian No 2 Road
Baoan District
Shenzhen, China