

VKB-400



- VKB-400 is the brand new control keyboard, which adopts 5.8 inch touch screen for showing and selecting all operation interface. Direct, convenient, and easy to follow and conveys large amounts of information.
- By using 3-dimentional joystick to control high-speed dome, DVR, decoder and matrix system, it is easy to use with good handling and flexible maneuvering.
- Provide RS-485 control output signal and also offer the standard RS-232 control signal, suitable for operating in both short and long-distance.

VKB-400

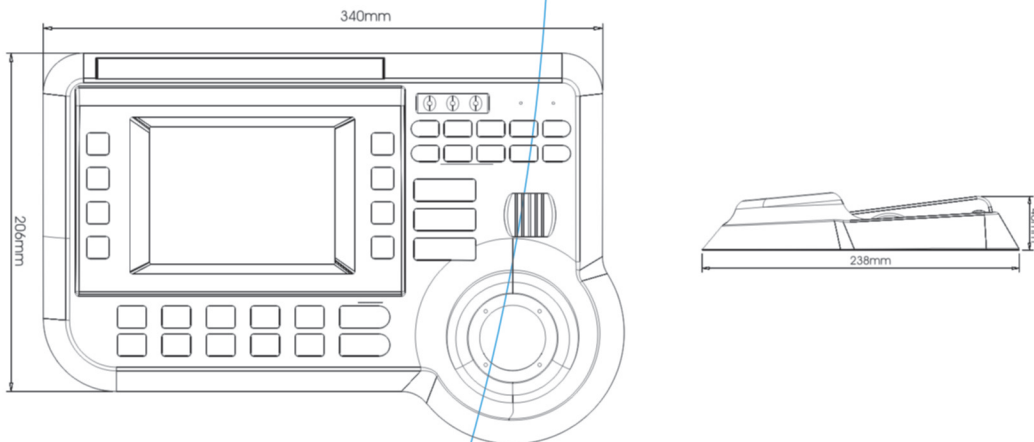
Function Parameter

Control Mode:	Main Control、Sub Control
Maximum sub control number :	16
Maximum control camera number:	1024
Maximum control monitor number:	64
Maximum control decoder number:	1024

Technical Parameter

Communication baud rate:	2400 bps~19200 bps
Protocols:	VIDEOTREC , Pelco_D , Pelco_P ,Samsung ,Kalatel
Data format:	N,8,1
Power input:	DC 12V
Power consumption:	6W

Dimmension Chart



* All specifications are subject to change without any prior notice .